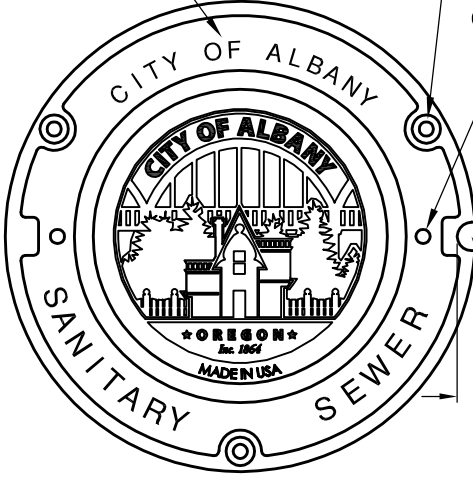


1" RAISED LETTERING
(RECESSED FLUSH)



SANITARY SEWER

(3) CORED BOLT HOLES, TYP.
(REF. CORE#10402002)
ON 22 5/8" DIA. BOLT CIRCLE

(2) 3/4" HOLES, TYP
(RECESSED FLUSH)

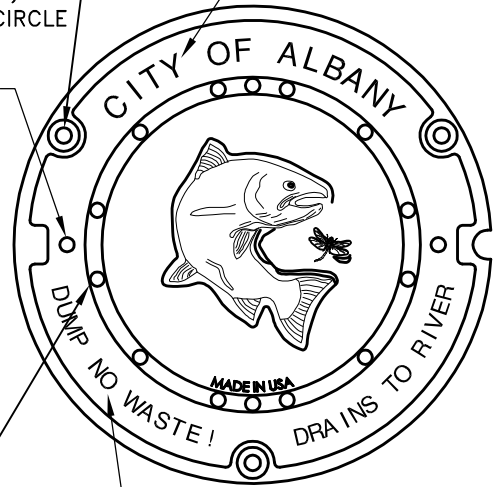
1 7/8"

(1) OPEN
PICKHOLE

1 1/4"

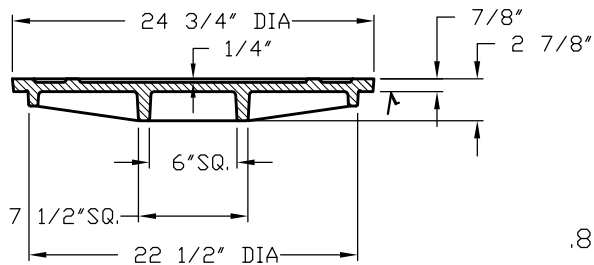
(14) 3/4" HOLES
AS SHOWN

1" RAISED LETTERING
(RECESSED FLUSH)

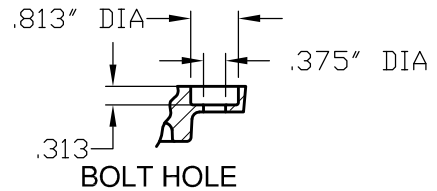


3/4" RAISED LETTERING
(RECESSED)

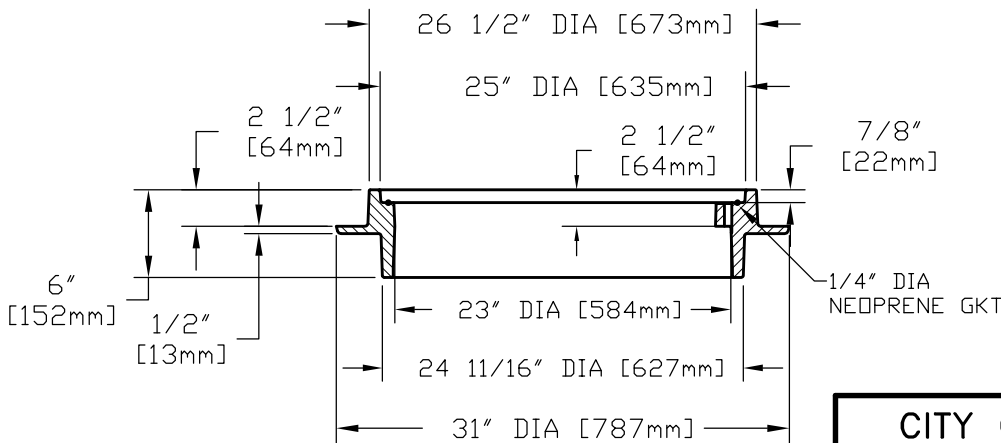
STORM SEWER



COVER SECTION



BOLT HOLE



FRAME SECTION

**CITY OF ALBANY, OREGON
PUBLIC WORKS DEPARTMENT**

**TAMPERPROOF
MANHOLE FRAME & COVER**

NO SCALE

JULY 2019

NO. 406